

Drain valve type AV540, AV550

Application and function

The drain valve is used to drain instruments or to drain fillings of instruments. The area of application comprises with the entire product range of level gauges and float switches.

Technical basic equipment

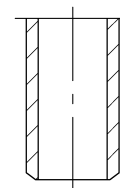
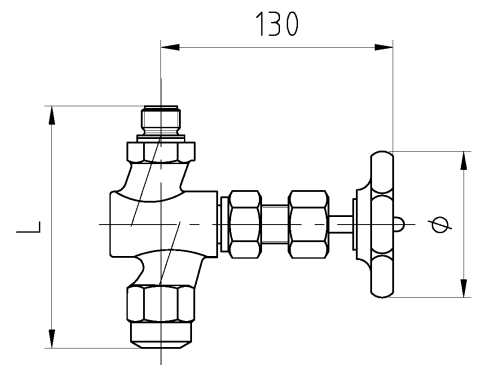
- Inlet: male thread G ½
- Outlet: But welding end
- Body material carbon steel as per DIN or ASME,
- Inner parts of valve: stainless steel,
- Handwheel carbon steel (up to PS = 32 bar)
resp. aluminium up to PS = 200 bar

Available (optional) versions

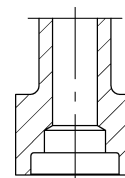
- Other versions (inlet-, outlet) on request

Technical data

		AV540		AV550				
Allowable pressure	PS [bar]	20	32	50	80	100	160	200
Allowable temperature	TS [° C]	215	239	265	296	312	348	367
Handwheel	∅ [mm]	80		110				
Dimension	L [mm]	ca. 130 (depending on version)						



Anschweißende DIN 3239
But welding end ASME B16.25



Socket welding
SW ASME B16.11